

1

2

3

4

A

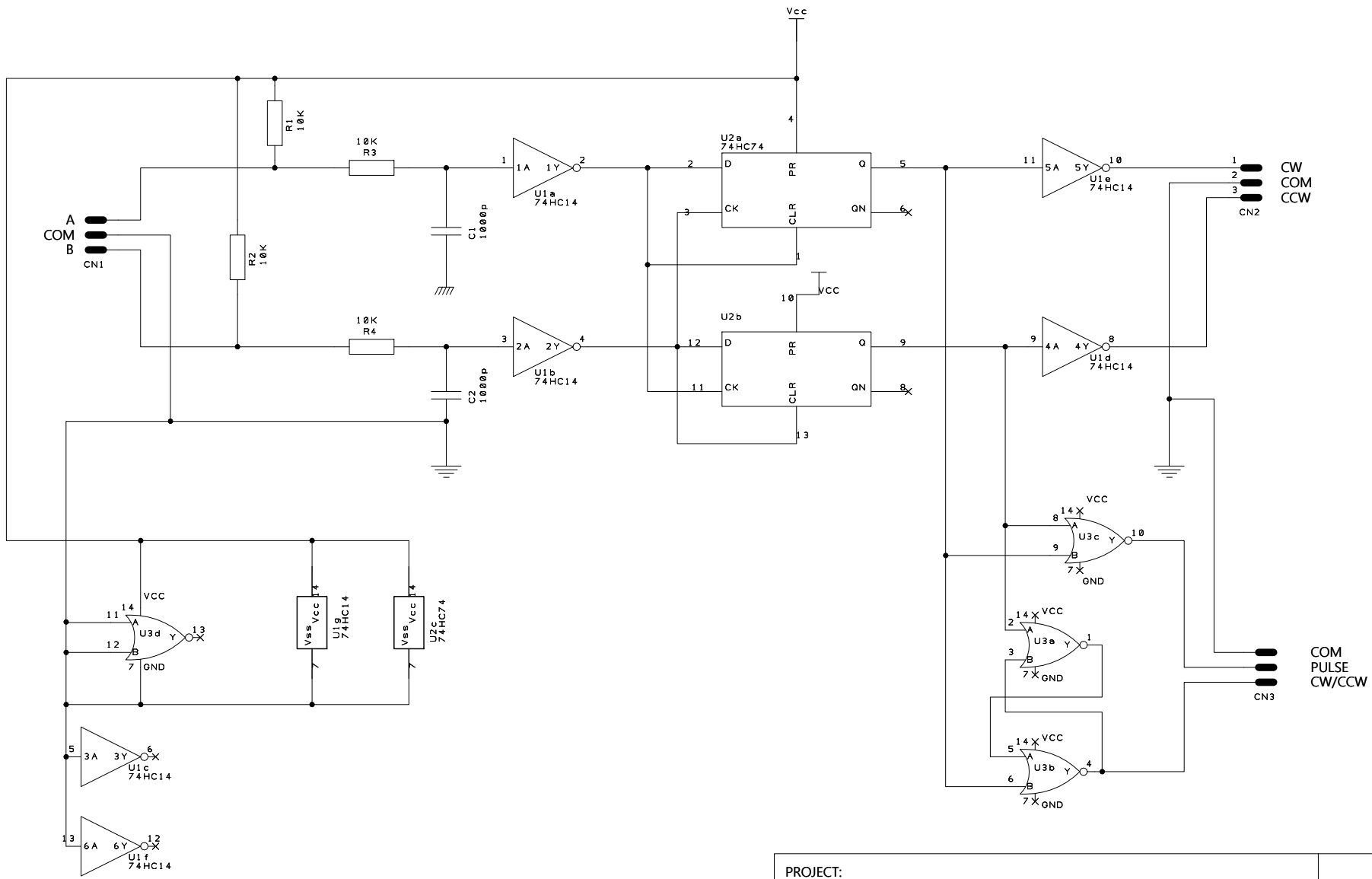
B


C

D

E

F



PROJECT:			
DRAWING TITLE:			
DRAWN BY:			
REVISION:		STATUS:	
SHEET:	OF	DATE:	
DESIGNSPARK PCB available for FREE at www.DesignSpark.com/PCB			