

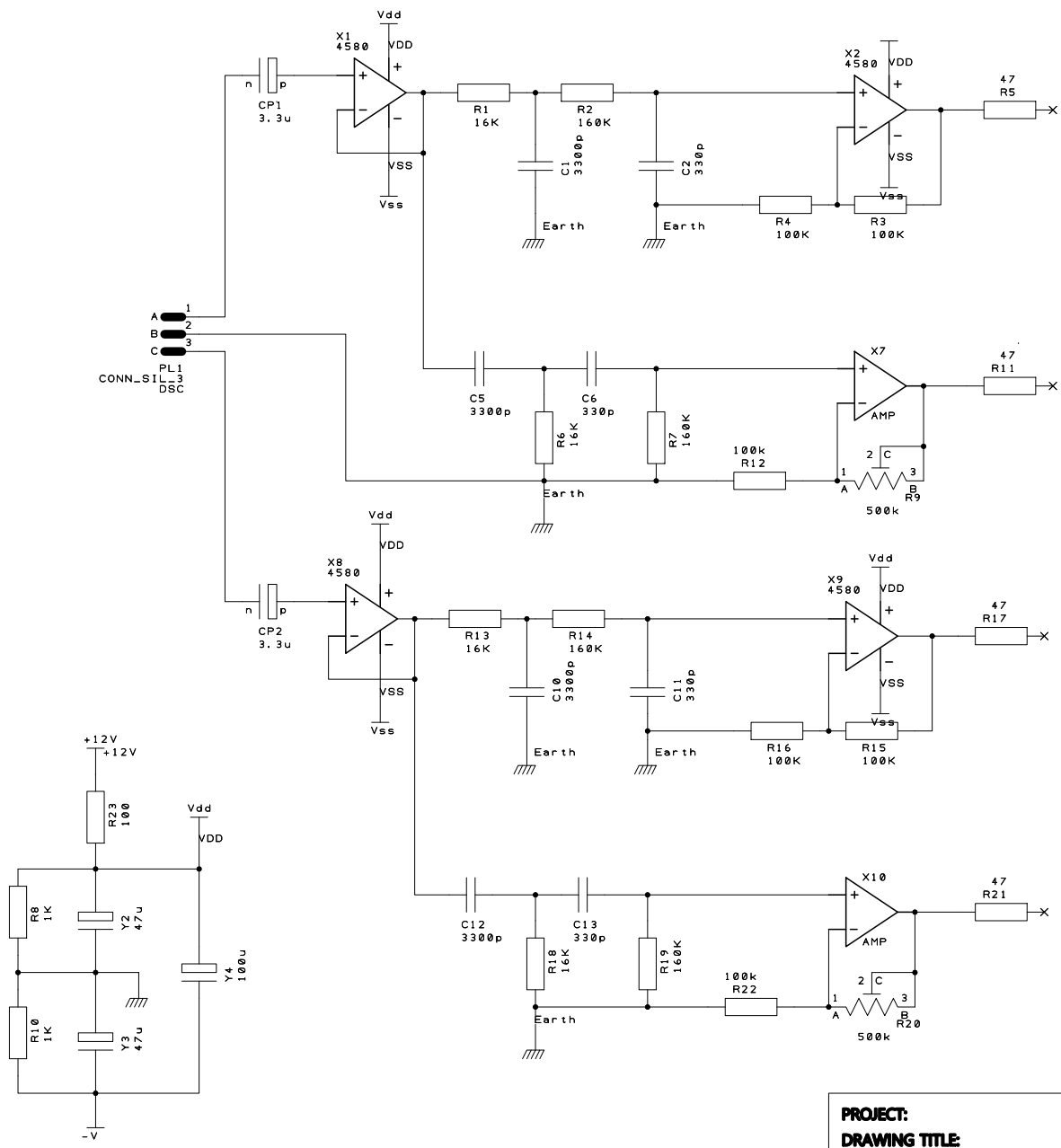
A B C D E F

1

2

3

4




to AN7551 5pin C

to AN7551 3pin C

to AN7551 7pin C

to AN7551 9pin C

PROJECT:		
DRAWING TITLE:		
DRAWN BY:		
REVISION:		
SHEET:	OF	STATUS:
DATE:		DESIGNSPARK PCB available for FREE at <a href="http://www.DesignSpark.com/PCB">www.DesignSpark.com/PCB</a>